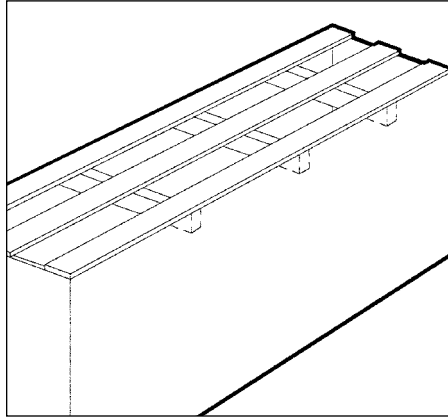


**RECOMMENDED SUBSTRATES**

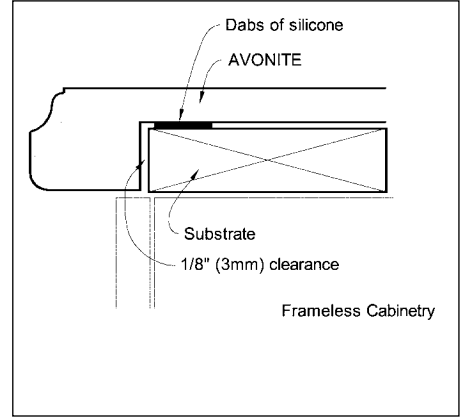
The illustrations shown below demonstrate typical substrate requirements needed to properly support AVONITE® materials. As a general rule, solid substrates should be used only for furniture or vanity tops, or overhangs where heat sources are not present.

**RUNNER METHOD**



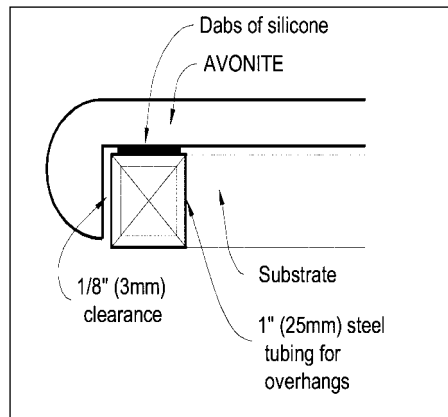
The runner method uses 1"x4" supports that run parallel to the length of the cabinets. These supports are placed in the front, center and rear and require cross supports every 18"-24" (45-60cm). These supports should be mechanically secured to cabinets.

Frameless cabinets require the thickness

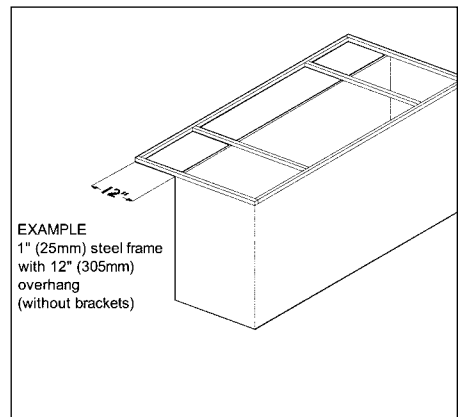


of the top edge to clear doors and drawer fronts.

**COOKTOP OVERHANGS**



For overhangs exceeding 6" (72mm) and where heat sources are present, use steel tubing. For example: a kitchen island with a cooktop and overhang.



Steel frame should be mechanically secured to the cabinetry which will provide a cantilevered support.

Drawings available for download at [www.avonite.com](http://www.avonite.com) in either .dwg or .pdf format.